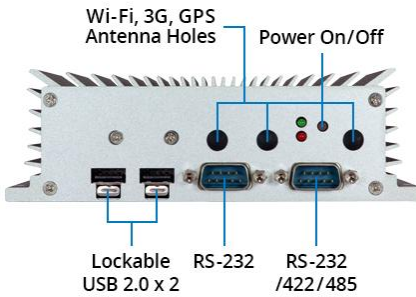
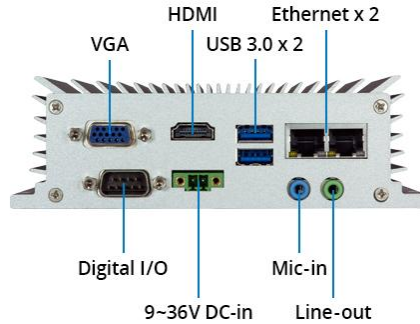




Front Panel



Rear Panel



The Automation Conductor is a fanless PC system utilizing, which includes USB 3.0, USB 2.0, Low-powered DDR3 and dual Ethernet ports. The system is ideal for industrial control systems, SCADA. deviceWise® ready; and Verizon certified.

Features

Quad- core 1.2+Ghz CPU

Eden x4 CPU offers double the performance with lower power consumption.

Fanless Design

Low Power with perfected heat dissipation fins, with Silent running.

Integrated SIM Card Reader

Integrated in is a mini-PCIe slot, with a SIM card reader allowing users to enable LTE, EvDO, 1XrTT. The Unit is certified for use on the Verizon network.

I/O Interfaces

This product provides rich a I/O interface, includes two GbE LAN ports, 3 serial COM ports, 1 I/O port, two USB 2.0 locking ports and two 3.0 USB ports for communications.





Operating Temperature

This product is ruggedized to support a wider than usual range of temperatures. Outfitted with industrial components this appliance can thrive in harsh conditions. -40c to 65c, operating temperature.

Display Ports

This platform comes with multiple video-out ports (VGA and HDMI)

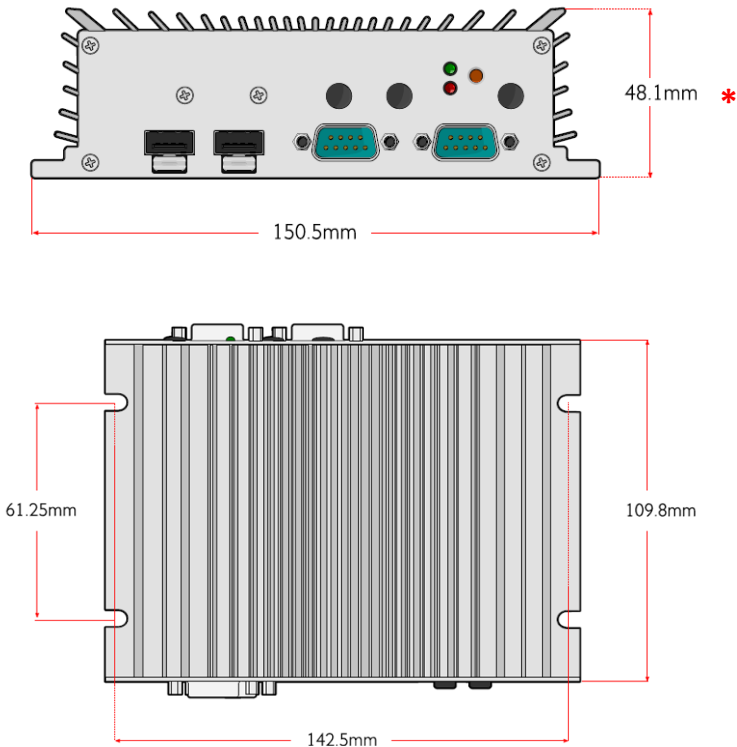
Dirt and Dust Proof Design

Solid chassis design with a fanless interior allows this product to be completely dustproof.

Mounting

This product provides flexible mounting possibilities, including VESA, wall mounting, rack mounting and DIN rail mounting options.

Dimensions 150.5 x 48.1 x 109.8 mm (5.92" x 1.89" x 4.32")



Specifications

Processor Options		Eden x4 1.2+ Ghz
BIOS		Flash BIOS
System Memory	Sockets	1 x 204-pin SODIMM socket
	Technology	DDR3L 1066 MHz
	Max. Capacity	Up to 16 GB
USB		2 x USB 2.0, 2 x USB 3.0 compliant hosts: Type A connector
Digital I/O		3 x DI and 1 x DO with +5V TTL Level
Expansion Bus		Mini-PCIe x 1, with SIM card reader
OS Support		Microsoft Windows 8.1 industry Pro embedded
Storage	HDD/SSD Support	1 x mSATA
	Expansion	1 x 2.5" SSD/HDD drive bay 5TB HDD available
Networking	LAN	2 x 10/100/1000Mbps, Autosensing, RJ-45
	Controller	VIA
Display	Graphics Controller	VIA Chrome
	Display Interface	VGA x 1 (1600 x 1200), HDMI x 1 (1920 x 1080)
LEDs		Power, HDD active
Physical Characteristics	Housing	Aluminum with steel base plate
	Weight	1.2 kg
	Dimensions (W x H x D)	150.5 x 48.1 x 109.8 mm (5.92" x 1.89" x 4.32")
	Mounting Options	Enclosure back Plate, Din Rail
Environment	Operating Temperature	-40~65°C
	Storage Temperature	-40~80°C
	Ambient Relative Humidity (non-condensing)	5 to 98% (non-condensing)
Power	Input Voltage	9-36v DC
	Power Consumption	15 W typical, max dependent on add-on modules and drives
	Connector	DC screw down
	AC Adapter	60 W, 24 V/2.5 A
Standards and Regulation	EMC	CE/FCC, Verizon network certified
	Green product	M2M Solar certified®
Bios features		
	Watchdog Timer	1~255 level time interval system reset, software programmable
	Port changes	RS232, RS485, RS422

Ordering Information

AC-4x4	Fanless Industrial PC with Eden Quad core 1.2+ Ghz	
AC-mSATA#	64, 128, 256, 512 GB or 1 TB mSATA	
AC-Memory#	4, 8, or 16 GB RAM	
AC-4x4EXT	2.5" extension carriage for 1 x 2.5" SSD or HDD * <i>adds~ 1 inch to height</i>	

Standard Accessories

AC-ext	SATA SSD/HDD cable w/ power	
AC-power	AC Power Adapter 60 W 24V/2.4A, DC Jack with screw down connector	
AC-Power-int	AC Power Adapter international kit (works in every country)	

Optional Accessories

AC-wifi	Wi-Fi Module	Wi-Fi Module, 802.11 b/g/n Mini-PCIe card
AC-wfant-int	Antenna	Internal Wi-Fi Antenna x 2
AC-wfant-ext	Antenna	External Wi-Fi Antenna x 2 (For enclosures)
AC-cell	Cellular Module	LTE/EvDO/1XRTT/GPS module
AC-cellant-int	Antenna	Internal Cell Antenna x 2
AC-cellant-ext	Antenna	External Cell Antenna x 2 (For enclosures)

V 1.1.2 Automation Conductor